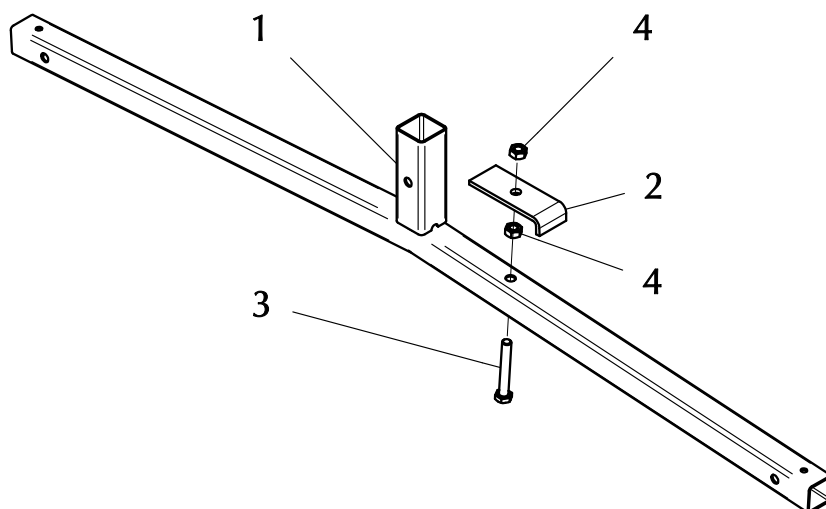


## SMB SYSTEM S

2,9 kg

Item	Part number
1	10637
2+3+4+4	10636
2	10362
3	100227, ISO 4017 - M10 x 70
4	100124, ISO 4032 - M10



[mm]

